

# Maximize Great Flavor, Not Costs

Nieco's **JF62** single and **JF62-2** dual belt automatic broilers with **BroilVection™** technology deliver superior products while saving up to 40% in energy costs. The variety of menu items broiled by the JF62 provides your customers with the charbroiled flavor and surface sear marks they desire. Nieco's **BroilVection™** technology combines radiant, reflective and convective heat to produce consistent results and reduce operating costs.

## BENEFITS

- Delicious Charbroiled Flavor and Color
- Energy Savings
- Less Kitchen Heat
- No Burner Replacement
- Faster Speed of Service

## FEATURES

- Automatic Stack Feeder
- Patented **BroilVection™** Technology
- Digital Controls
- Compact Design
- Loads Pans Directly
- Brushless DC **BroilVection™** Fan and DC Drive Motors

## OPTIONS

- Available in Natural Gas, Propane or Electric (Domestic and Export)
- Single 14 Inch or Dual 7 Inch Belts
- Push Bar or Wire Belt Automatic Feeder(s)
- Return Flow or Flow Through Design

## ACCESSORIES

- Incendalyst™ – Emission Control Catalyst
- Warming Element
- Spare Parts Kit
- Multi Product Control
- Quick Disconnect Gas Hose
- Stainless Steel Stand with Locking Casters



**PERFECT FOR:**  
Kiosks, smaller  
kitchens in need  
of lower-volume  
broiling.



**NIECO JF62**

# NIECO JF62



## APPROVALS



Intertek



## DIMENSIONS

	With Stand:		With 4" Legs:	
	Inches	mm	Inches	mm
Length	39.34	999	39.34	999
Height	65.75	1670 (with Incendalyst™)	34.24	869
Width	15.87	394	28.68	728

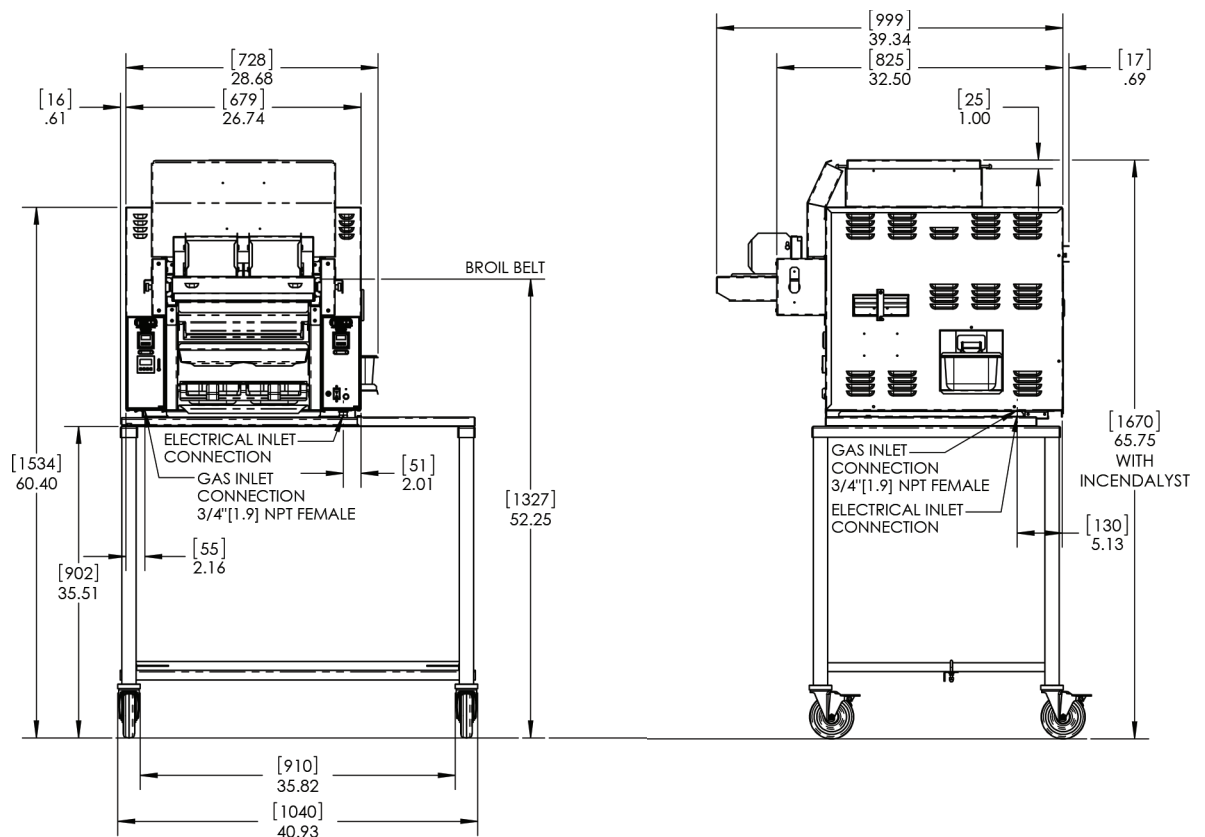
## ENERGY (FACTORY RATED)

### Gas Models:

- Natural Gas or LPG (for mixed gas call the factory)
- Connected: 37,000 BTU/hour
- Connection Size: 3/4" NPT
- Electric Connection Domestic: 120V 4A
- Electric Connection Export: 220V 2A

### Electric Models:

- Domestic/Export: 208-220V 3Ø 25A 10kW
- Export CE: 230/380-400V 3Ø 13A 10kW +N CE



## WARRANTY

One year parts and labor.

All Nieco equipment is backed by a worldwide sales and service network, with local parts inventories and 24 hour emergency service.

Call us today at **800-643-2656** or e-mail us at **sales@nieco.com**